

Birch Run Speedway

Modified Division 2018 Official Rules

1. Safety

Birch Run Speedway safety rules follow standards set forth by the SFI Foundation, Inc.

- A. Helmet must be 2010 Snell standard or better and have sticker visible for inspection. Full-face helmets required.
- B. A capable form of head & neck restraint must be used. A strap-type neck restraint is mandatory (No Neck Collars).
- C. Approved seat belts and double shoulder harness will be required, no older than two (2) years. A crotch strap is required.
- D. SFI approved clean, full driving suit, approved gloves and shoes for fire protection are mandatory.
- E. Driver's window must be equipped with safety net with quick release-latch. String window nets are not permitted. The minimum net size must be 22" wide and 16" high. When latched, the window net must fit and pull tight.
- F. Resilient padding designed for roll bar use must be installed on any roll cage member which can be reached by any extremity of the driver while driver is normally seated with restraints fastened. Steering wheel must be padded.
- G. All lead weights must be painted white, with the car number painted on each individual piece. All lead weights must be securely fastened. No Tungsten or similar weight allowed.
- H. All competing teams must possess a working fire extinguisher while in attendance in pits.
- I. A main electrical cut-off switch needs to be clearly marked and easily accessible to safety crews.
- J. Batteries must be securely mounted outside of driver's compartment.
- K. A working Fire Suppression system or driver accessible fire extinguisher (minimum 5 lb.) is required.
- L. All cars must have an OBERG, SRI or other approved Vacuum Style fuel shut off placed at the point the fuel exits the cell.
- M. Working fuel cell flapper valve is required.
- N. Fuel cap must be tethered.
- O. Hood and trunk (deck lids) may only be secured with pins.
- P. Seats must be an aluminum high back racing seat. Right and left head restraints are required.
- Q. RaceCeivers are required to be used at all times car is on-track.
- R. Mirrors are allowed. Mirrors may not extend beyond the confinements of the driver's compartment. Radios are not permitted.

Birch Run Speedway performance rules follow standards set forth by International Championship Auto Racing - ICAR All-Star Modified Tour.

2. Battery

- A. One 12/16 volt battery only.
- B. Battery must be securely mounted between frame rails, behind cross member, in front of rear end and outside of driver cockpit, with positive terminal covered.
- C. Car must have the capacity of starting without being pushed or pulled. Standard or reverse mount starters allowed.
- D. No electronic monitoring computer devices capable of storing or transmitting information. Exception: Analog tach.
- E. One (1) 12/16 volt ignition box allowed.
- F. No adjustable ignition control boxes.
- G. No additional ignition accessories allowed.
- H. No magnetos allowed.
- I. No traction control devices allowed.

Modified Division 2018 Official Rules

3. Brakes

- A. Brakes must be cast steel OEM type only, operative on all 4 wheels, drum or disc. Must maintain minimum OEM dimensions for hub/rotor and calipers, cannot be drilled or lightened. Bolt pattern may be changed. Larger studs allowed.
- B. Front brake rotors MUST be stock type.
- C. Rear rotors may be aftermarket, minimum .810 inch thick, vented rotors only.
- D. No scalloped or drilled rotors.

4. Engine

- A. Rear of engine must be mounted at least 72 inches forward from centerline of rear axle. Engine offset must be kept within 2 inches of centerline of front crossmember with engine level. Minimum 11 inches from centerline of crank shaft to ground must be mounted in front of engine.
- B. Cooling system may be modified. No anti-freeze.
- C. Any American make engine allowed. Steel block.
- D. No machine work to the outside of block (lightening).
- E. Wet sump oiling system only. Single stage external pump allowed as long as oil remains in pan (no external tanks).
- F. One (1) naturally aspirated two or four barrel carburetor only. (No fuel injection) No magnetos.
- G. Oil pump must be in front of engine.

5. Exhaust

- A. Round tube headers only. All primary tubes must enter into 1 collector, at the end of the header.
- B. Mufflers required.

Modified Division 2018 Official Rules

6. Frame

- A. 1964 or newer OEM perimeter American made rear wheel drive passenger car frame only. (Reproduction 68-72 Chevelle frames are approved). No sports car frames. 2002 & up Ford Crown Vic or similar frames are allowed.
- B. Strut front suspension of any kind allowed must add 50 lbs.
- C. No tube clips allowed.
- D. Frame must be full and complete, cannot be widened or narrowed, and must be able to support roll cage on both sides. Exceptions: Weight jack in original center line of spring tower; frame may be cut a maximum 36 inches forward from center of rear housing; horns may be removed in front of steering box; front cross member may be notched and boxed for radiator and/or steering clearance; maximum 7 inch wide opening in side of spring tower for spring removal.
- E. OEM upper A mounts may be replaced with aftermarket mounts. Maximum 4 inch wide by 4 inch tall frame stiffener may be welded directly to outside of left OEM frame rail. Left side OEM frame rail may be notched for seat and foot clearance.
- F. Minimum wheelbase 108 inches, maximum 112 inches, both sides.
- G. Maximum overall width, front and rear, shall not exceed 78 inches from outside of tire, to outside of tire.
- H. No rack and pinion.
- I. All components must be steel, unaltered OEM, in OEM location. Exceptions: tie rod ends and adjuster sleeves may be replaced by a minimum .625 inch steel rod ends and steel tubes; OEM spindles can be modified for ball joints and tie rod ends; Passenger car drop spindles allowed; (OEM passenger car spindles only (no made for racing or fabricated spindles.) Bolt on or welded spindle savers allowed; spindles must be right and left, and of the same design; steel steering shafts and knuckles only; steering quickener, steering wheel and quick release may be aluminum; driver compartment steering may be modified, but must be kept on left side.
- J. OEM center link or OEM aftermarket type center links allowed.

7. Fuel Cell

- A. Mechanical or belt driven pump only and must be mounted on front of motor.
- B. Racing fuel cell required 22 gallon maximum capacity, square or rectangle in shape (no tear drop, wedge, or exotic F-1 type fuel cells allowed). Must be in a minimum 22 gauge steel container.
- C. Cell must be securely mounted behind the rear axles and between the rear tires. Cell must be no lower than bottom of rear end housing.
- D. Cell must be mounted with a minimum two (2) solid steel strap around the entire cell, 2 inches wide and .125 inches thick or equivalent. All cell mounts must be steel and securely welded or bolted to the frame.
- E. Protective tubing must cover rear of cell and extend past both ends of the cell. No part of the cell is to be lower than the protective tubing.
- F. Vents and lids must have check valves.
- G. Fuel line pick up must be on top of cell.
- H. No cool cans and one (1) fuel filter only. Minimum fuel cell 16 gallons.
- I. Racing gasoline or alcohol allowed. E85 will be allowed. Cars that run alcohol must have an "A" on both right and left side of sail panel.

Modified Division 2018 Official Rules

8. Radiator

- A. Only 1 radiator is permitted.
- B. Radiator must vent into catch-can or mount overflow tube at center of windshield in clear view of officials.
- C. Anti-freeze is not permitted.

9. Roll Cage

- A. Roll cage must consist of continuous hoops, minimum 1.75 inch O.D. tubing, with a minimum wall thickness of .095 inch for the main cage. Frame mounted in at least 6 places, low carbon or mild steel recommended. Roll cage must consist of a configuration of front, rear, and top hoops connected by tubing on the sides or side hoops.
- B. Driver's head must not protrude outside cage with helmet on. Roll cage must be securely supported and braced with minimum 1 cross bar in top halo.
- C. Foot protection bar(s) required.
- D. Main cage shall not be further forward than rear of engine. All bars forward of the cage must be lower than the hood. "X" OR "Z" bar behind drivers head is highly recommended.
- E. All car running a bird cage type rear end must have a 1/16 steel plate or 1/8 alum plate behind the seat from the top bar to the bottom to the left side door bars to 3 inch past the seat.
- F. All driver side door bars and uprights must be a minimum 1.75 inch and .095 inch wall thickness.
- G. Minimum 4 driver side door bars, parallel to the ground and perpendicular to the driver, and welded to the front and rear roll cage. Passenger side must have at least 1 cross door bar, horizontal or angled, and 1 top door bar, minimum 1.5 inch O.D. Steel door plate, 16 gauge (.065) minimum thickness, must be securely welded to outside of the driver side door bars and cover the area from top door bar to bottom door bar and from rear hoop down post to front cage down post.

10. Suspension

- A. All components must be steel, unaltered OEM, in OEM location, and replaceable by OEM parts. Exceptions: Tube type upper A frames with or without aluminum or steel cross shaft, and mounts can be moved; stamped steel OEM replacement lower a-frames; rubber, nylon, or steel lower a-frame bushings; no offset bushings; welded or bolted shock mounts on lower a-frames; Lower a-frames must be right and left, and of the same design.
- B. Lower a-frame mounts and bolt holes on frame must be in OEM location. OEM type ball joints only. Sway bar must be OEM type, no splined bars.
- C. Steel hub and rotor may be used no aluminum (2pcs hub and rotor) no wide 5.
- D. No external canisters (shradar valves permitted) 1 shock per wheel, 1 additional shock allowed in the lift/pull bar area.
- E. All shocks must be easily removed (no covers allowed) no coil overs allowed on front.
- F. Shocks must have a racers price of less than \$375.00 per shock new.
- G. Steel coil and leaf springs allowed. Coil springs must be at least 4.5 inches O.D.
- H. No torsion bars or air bags. Exception: Pull bar may utilize smaller O.D. springs.
- I. No independent rear suspension. All components must be steel. No covers allowed.
- J. All trailing arms/link bars must be made of steel tubing (aluminum hex tube will be acceptable).
- K. Rear of frame may be altered to accept leaf or coil springs. Steel coil-over eliminators, and steel or aluminum (5") coil-over kits, allowed on the rear only. Must conform to shock and spring rules. No rear sway bars.

11. Tires

- A. Only Hoosier D800 Series tires are allowed.
- B. Use of tire softening or altering agents is not permitted.
- C. Recapped tires are not permitted.

12. Transmission

- A. Must have at least two forward gears and one reverse, plus a neutral position. With engine running and car in still position, must be able to engage car in gear and move forward, then backward.
- B. OEM production type or approved aftermarket transmissions (Bert, Brinn, Falcon) allowed. (2-speed, 3-speed, 4-speed and automatic). No 5-speed or more transmissions, No 'in and 'out boxes allowed.
- C. Standard clutch type transmissions must have a blow proof bell housing (steel or aluminum). Automatic transmissions must have an approved scatter-shield.
- D. Minimum 2.5 inch diameter, steel drive shaft, painted white. Steel slip-yokes only. 360 degree drive shaft loop required and must be constructed of at least .25 inch by 2 inch steel or equivalent, mounted 6 inches back from front u-joint.
- E. Any steel approved OEM passenger car or truck rear end allowed. Closed, steel tube Quick changes allowed. Safety hubs (floater) mandatory. Steel axles only. No cambered rear ends. One (1) piece drive flange only. All components must be steel. Exceptions: lowering blocks, axle caps, rotor plates, and drive flanges. No cover on rear end of body.

13. Wheels

- A. Eight (8) inch steel wheel only, measured from inside bead to inside bead.
- B. No screws or rim mounted bleeder valves.
- C. Steel and aluminum wheel spacers are allowed.

14. Weight

- A. Minimum weight limit of 2,400 pounds, 1000lbs. right side, before the race with driver and helmet in car setting in normal driving position. 2450 car on bump stop 1000lbs right side before the race.
- B. Weights must be securely mounted with at least two (2) half inch bolts to frame or roll cage and painted white with car number on it.
- C. No weight outside of the body.
- D. No titanium, carbon fiber, or exotic materials used on race car.
- E. No gun-drilled, tubular, hollow bolts or studs. Steel fasteners only.

Modified Division 2018 Official Rules

15. Body

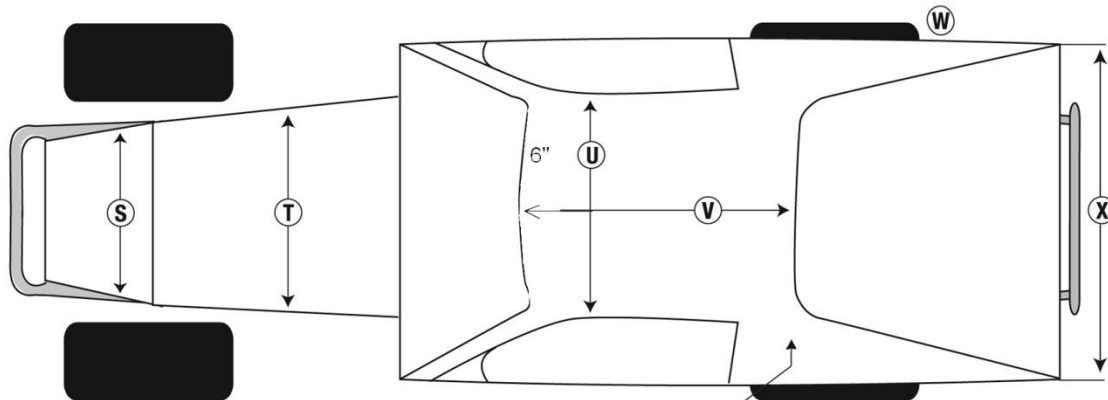
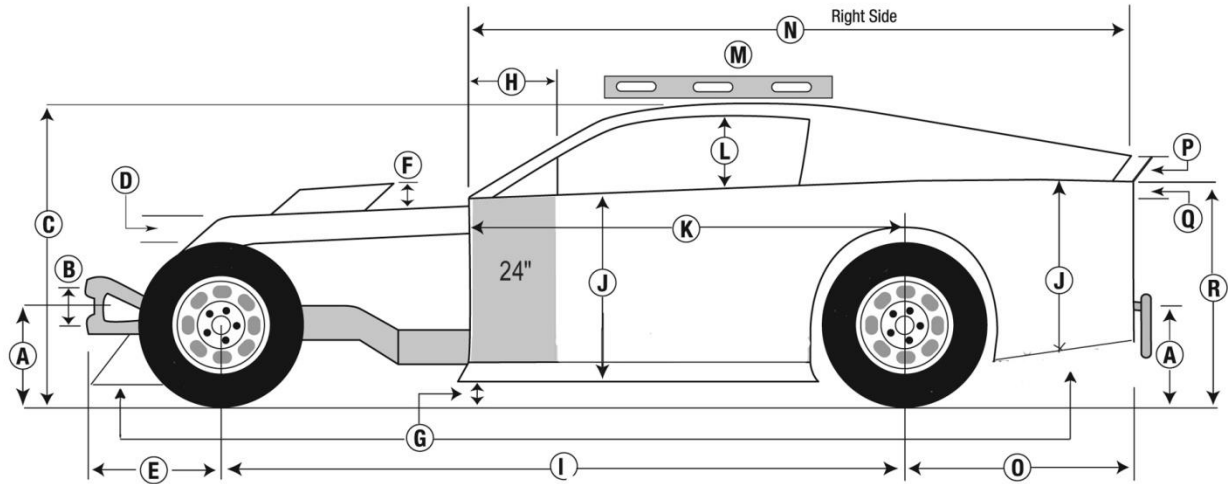
- A. Must be same width, front to rear, and parallel to the OEM frame.
- B. Engine compartment must remain open on both sides.
- C. Hood must be enclosed at rear.
- D. No panel in front of right door to engine compartment. No inner panels.
- E. Must have front windshield support and rear window support posts.
- F. Driver and passenger side windows must have at least 12" X 18" opening (height and width), measured at center of window, between lowest point at top of window, whether roof or roll cage, and the highest point at bottom of window, whether interior or body.
- G. May use Lexan in sail panels.
- H. No full windshields.
- I. Roofs must be fiberglass or alum (no carbon fiber) full size, rounded and stock appearing (no flat roofs).
- J. Must run full upper and lower nose.
- K. No plastic body parts.
- L. No wings or aero dynamic devices inside or outside the car.
- M. Outside of tires must be the widest part of car.
- N. Quarter panels and B/C pillars must be 2 distinct pieces.
- O. Oil coolers/radiator must not protrude above interior or outside of body.
- P. Roof must mount within ½" to the top of the cage and still meet existing roof rules, and Diagram (M).
- Q. Spoiler: A 4 inch by 66 inch spoiler 45 deg. to the deck is allowed, with all braces to the rear of the spoiler. Spoiler must be 1 piece.
- R. Sail Panels: Must not be wider than the body and must attach to the quarters in a single stock appearing plane that angles inward to the roof. No fins or lips on, body. You may run a lip of ¾ by ¾ on sail panel only max.
- S. Max 6 inch nose to ground before and after race.
- T. You may run an aluminum roof if it meets the specs. If aluminum roof doesn't meet specs, a 100lbs weight penalty will be applied.
- U. On the aluminum nose, you may run a Max 1.50 inch lip on top side of nose. Plastic noses are ok. No dirt type sail panels, they must be flat.
- V. Must have a minimum 3 windshield bars in front of the driver. Lexan or aluminum cowl panel in front of the driver can be no wider than the cockpit and no farther back than the steering wheel.
- W. Minimum .125 inch aluminum, or 22 (.035 inch) gauge steel, complete floor pan required.
- X. Aluminum high back seat only and must be bolted in securely, inside the left OEM frame and ahead of the rear tires. Bottom of seat can be no lower than bottom of frame.
- Y. Driver must be sealed off from track, driveline, engine, fuel cell, battery and pumps.
- Z. No driver adjustable devices allowed in cockpit except brake adjusters.
- AA. Steel bumpers must be on front and rear at all times and welded or bolted securely to the frame. Must be a minimum 1.25 inch O.D. tubing, .065 wall thickness. Two bar front bumper must be mounted frame end to frame end, no wider than width of OEM frame horns. Bottom loop must be parallel to the ground. Top bar must be directly above bottom bar, minimum 6.5 inches apart, measured center to center. Aluminum I-beam rear bumper are allowed. No sharp edges .Rear bumper must have nerf bars on each side rounded back to main frame. Bumper must be same width of quarter panels (see Z on body panel rules).
- BB. Aluminum roofs ok, must meet specs fiberglass roof part number will used AR Body number 190050, /5star body/or ok by ICAR.
- CC. Roof front min 3" –max5" rear min 1.5"–max 2".

Modified Division 2018 Official Rules

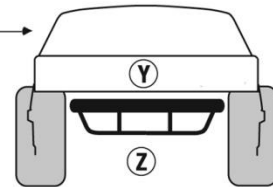
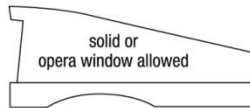
16. Body Diagram

- (A) 20" Max. – 16" Min. (Ground to center of bumper front & rear)
- (B) 6.5" Min. (Center to center)
- (C) 46" Max. – 42" Min.
- (D) 6" Max. Hood sides – 3" Max. Rake in hood.
- (E) 32" Max. (Bumper & Nose)
- (F) 6" Max. (Scoop/Deflector)
- (G) 4" Min. at Nose and Sides– 8" Min. at Quarters
- (H) 19" Max. (Same both sides)
- (I) 112" Max. – 108" Min.
- (J) 29" Max. – 22" Min.
- (K) 72" Max. Or not past back of block, right side. Left side may extend forward to cover foot box if necessary.
- (L) 18" Max. – 12" Min. Opening, both sides.
- (M) With 6' level, must have min 1.5" max 2" gradual clearance at rear and min 3" and a max of 5" at front. Level will placed at center of roof to get dimensions listed in item "M".
- (N) 117" Max. – 106" Min.
- (O) 45" Max. – 34" Min.
- (P) 3" Max. height at rear of sail panel, gradual slope from roof to this point. (4" x 66" Max. spoiler 45 degrees to the deck is allowed with supports to the rear only.)
- (Q) Interior slope is 6" Maximum. Front to rear and flat across. If flat at front half of interior you have used up 50% of your 6" so from behind the driver to the rear you only have 3" of slope. Top of interior must be flush with top of doors and quarter panels.
- (R) 38" Max. – 28" Min.
- (S) 38" Max. – 24" Min.
- (T) 66" Max. – 24" Min. No narrower than radiator
- (U) 52" Max. – 44" Min.
- (V) 56" Max. – 41" Min.
- (W) Tires must be the widest part of the car. Must be able to see side wall of tire from front, top, and rear.
- (X) 66" Max. – 53" Min.
- (Y) 8" Panel / 90 degrees to ground. Must be solid, attached to the deck and extend to the quarter panels, securely fastened.
- (Z) Aluminum "I" beam or tubular steel rear bumpers allowed, MUST have rounded nerf bars that follow quarter panel and connect back to frame on both sides.
- (AA) 6 ins max nose to ground before and after race (no pull up)

Modified Division 2018 Official Rules



SAIL PANELS: Must not be wider than the body and must attach to the quarters in a single stock appearing plane that angles inward to the roof. No fins or lips on sail panels, body, or nose.



Contacts

Birch Run Speedway
 10945 Dixie Highway
 Birch Run, Michigan 48415
 Office: 989-624-9778
 Email: info@birchrunmispdway.com
 Web: birchrunmispdway.com

Motor City Racing Promotions
 PO Box 70162
 Rochester Hills, Michigan 48307
 Phone: 586-201-0378
 Email: official@motorcityracing.co
 Web: motorcityracing.co